

Indoor Lighting Specification

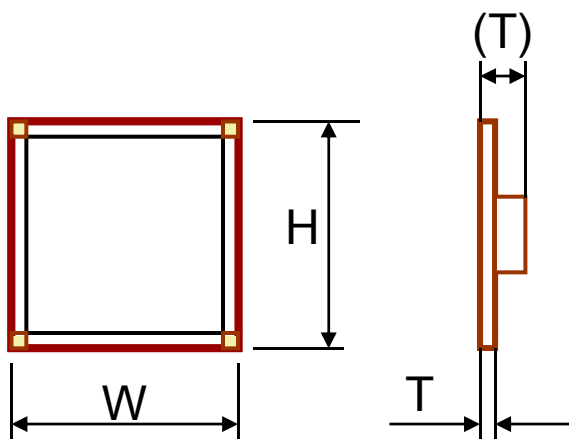
Well-Lux Serise

Ver1-DJ LED

SPECIFICATIONS

Production

Model:(Well-Lux) LP330N-CW/WW



■ Power Supply Unit Specifications

★.Operating/Storage Temperature

Operating Temp.: -20°C ~40°C, Humidity : 75%±20% RH

Storage Temp.: -40°C~ 85°C, Humidity : 75%±20% RH

★.Electrical Characteristics

-Input Characteristics

AC Rated Input Voltage : 100 ~ 240Vac

AC Operating Input Voltage : 90 ~ 254Vac

AC Input Frequency : 50/60Hz

AC Input Current : Max <2Arms

Inrush Current : < 60A peak

Power Factor : >90%

-Output Characteristics

Output Voltage : 50V

Output Current : 1.44A

Feedback Current : 180mA

★.Power Consumption

Max Power Consumption : < 90W

Efficiency : < 80%

Rated Input Voltage (驅動電壓) :AC100-240V, 50/60Hz

LED Qty (LED 數量) :84ea

LED Power Consumption (消費電力) :17W

Lumen Flux(光速) :1300lms

Illuminance(照度) :370Lux(1m)

CT(色溫度) :6000K(CW) , 3500K(WW)

CRI(鉛色指數) :70

Beam Angle(Beam角度) :120°

Operating Temperature(使用溫度) :-20°C~40°C

Material :(Frame :Aluminium,Back cover :SECC,LGP:PMMA,DIF:PMMA)

Out Dimmension(Wx Hx T) :300mmx300mmx15mm(40.5mm)

Weight(重量) :1.6kg

Control method : IR Remote controller

IP :30

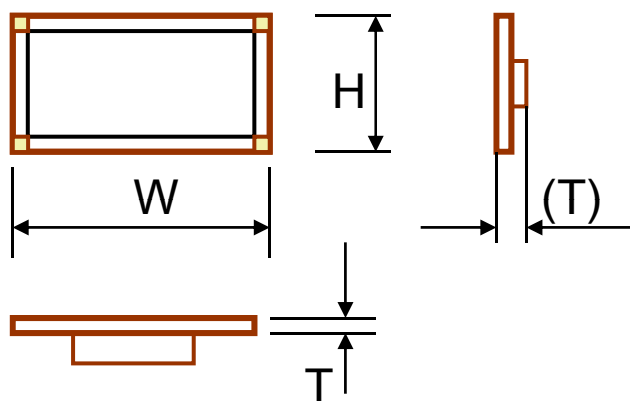
※Power supply :UL , CE Registered Certificates

※Outline Dimmension(WxH xT):
110mmx127mmx26mm



SPECIFICATIONS

Model:(Well-Lux) LP630N-CW/WW



Rated Input Voltage (驅動電壓)	:AC100-240V, 50/60Hz
LED Qty (LED 數量)	:168ea
LED Power Consumption (消費電力)	:34W
Lumen Flux(光速)	:4300lms
Illuminance(照度)	:1100Lux(1m)
CT(色溫度)	:6000K(CW), 3500K(WW)
CRI(鉛色指數)	:70
Beam Angle(Beam角度)	:120°
Operating Temperature(使用溫度)	:-20°C~40°C
Material	:(Frame :Aluminium,Back cover :SECC,LGP:PMMA,DIF:PMMA)
Out Dimmension(Wx Hx T)	:600mmx300mmx15mm(40.5mm)
Weight(重量)	:2.5kg
Control method	: IR Remote controller
IP	:30
※Power supply :UL , CE Registered Certificates	

■ Power Supply Unit Specifications

★.Operating/Storage Temperature

Operating Temp.: -20°C ~40°C, Humidity : 75%±20% RH

Storage Temp.: -40°C~ 85°C, Humidity : 75%±20% RH

★.Electrical Characteristics

-Input Characteristics

AC Rated Input Voltage : 100 ~ 240Vac

AC Operating Input Voltage : 90 ~ 254Vac

AC Input Frequency : 50/60Hz

AC Input Current : Max <2Arms

Inrush Current : < 60A peak

Power Factor : >90%

-Output Characteristics

Output Voltage : 50V

Output Current : 1.44A

Feedback Current : 180mA

★.Power Consumption

Max Power Consumption : < 90W

Efficiency : < 80%

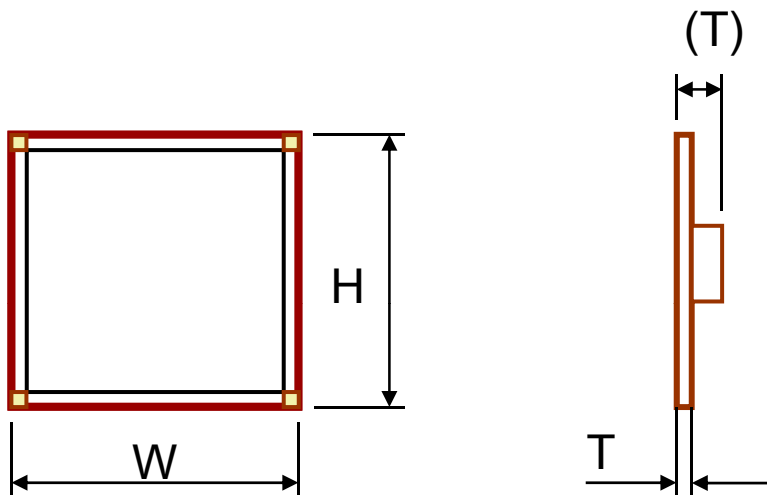
※Outline Dimmension(WxH xT):
110mmx127mmx26mm



SPECIFICATIONS

Production

Model:(Well-Lux) LP660N-CW/WW



Rated Input Voltage (驅動電壓)	:AC100-240V, 50/60Hz
LED Qty (LED 數量)	:336ea
LED Power Consumption (消費電力)	:67W
Lumen Flux(光速)	:4300lms
Illuminance(照度)	:1100Lux(1m)
CT(色溫度)	:6000K(CW) , 3500K(WW)
CRI(鉛色指數)	:70
Beam Angle(Beam角度)	:120°
Operating Temperature(使用溫度)	:-20°C~40°C
Material	:(Frame :Aluminium,Back cover :SECC,LGP:PMMA,DIF:PMMA)
Out Dimmension(Wx Hx T)	:595mmx595mmx15mm(40.5mm)
Weight(重量)	:4.8kg
Control method	: IR Remote controller
IP	:30
※Power supply	:UL , CE Registered Certificates

■ Power Supply Unit Specifications

★.Operating/Storage Temperature

Operating Temp.: -20°C ~40°C, Humidity : 75%±20% RH

Storage Temp.: -40°C~ 85°C, Humidity : 75%±20% RH

★.Electrical Characteristics

-Input Characteristics

AC Rated Input Voltage : 100 ~ 240Vac

AC Operating Input Voltage : 90 ~ 254Vac

AC Input Frequency : 50/60Hz

AC Input Current : Max <2Arms

Inrush Current : < 60A peak

Power Factor : >90%

-Output Characteristics

Output Voltage : 50V

Output Current : 1.44A

Feedback Current : 180mA

★.Power Consumption

Max Power Consumption : < 90W

Efficiency : < 80%

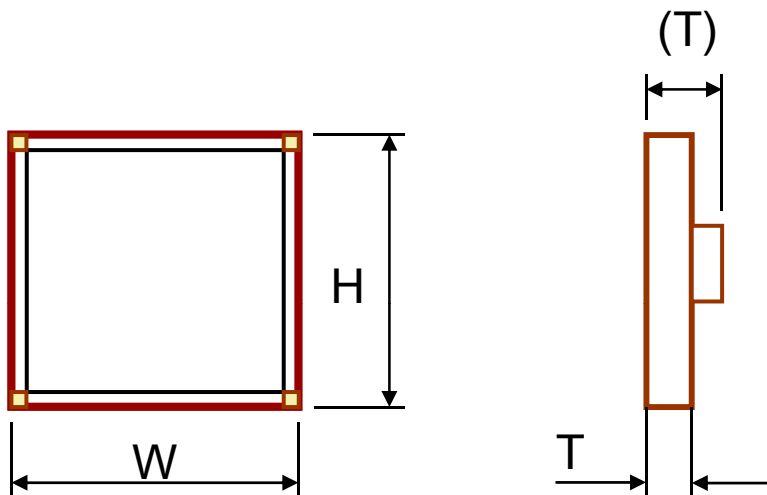
※Outline Dimmension(WxH xT):
110mmx127mmx26mm



SPECIFICATIONS

Develop

Model:(Well-Lux) LP660R-CW/WW



Rated Input Voltage (驅動電壓)	:AC100-240V, 50/60Hz
LED Qty (LED 數量)	:380ea
LED Power Consumption (消費電力)	:67W
Lumen Flux(光速)	:4600lms
Illuminance(照度)	:1450Lux(1m)
CT(色溫度)	:6000K(CW) , 3500K(WW)
CRI(鉛色指數)	:70
Beam Angle(Beam角度)	:120°
Operating Temperature(使用溫度)	:-20°C~40°C
Material	:(Frame :Aluminium,Back cover :SECC,LGP:PMMA,DIF:PMMA)
Out Dimmension(Wx Hx T)	:600mmx600mmx20mm(46mm)
Weight(重量)	:8.0kg
Control method	: IR Remote controller
IP	:30
※Power supply :UL , CE Registered Certificates	

■ Power Supply Unit Specifications

★.Operating/Storage Temperature

Operating Temp.: -20°C ~40°C, Humidity : 75%±20% RH

Storage Temp.: -40°C~ 85°C, Humidity : 75%±20% RH

★.Electrical Characteristics

-Input Characteristics

AC Rated Input Voltage : 100 ~ 240Vac

AC Operating Input Voltage : 90 ~ 254Vac

AC Input Frequency : 50/60Hz

AC Input Current : Max <2Arms

Inrush Current : < 60A peak

Power Factor : >90%

-Output Characteristics

Output Voltage : 50V

Output Current : 1.44A

Feedback Current : 180mA

★.Power Consumption

Max Power Consumption : < 90W

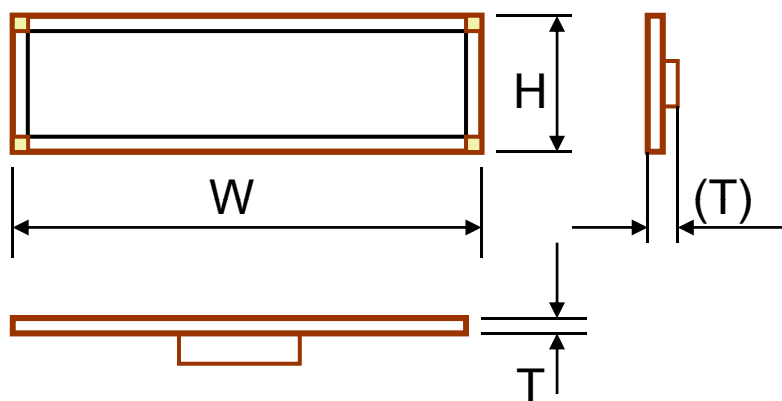
Efficiency : < 80%

※Outline Dimmension(WxH xT):
110mmx127mmx26mm

SPECIFICATIONS

Production

Model:(Well-Lux) LP1230N-CW/WW



Rated Input Voltage (驅動電壓)	:AC100-240V, 50/60Hz
LED Qty (LED 數量)	:336ea
LED Power Consumption (消費電力)	:67W
Lumen Flux(光速)	:4300lms
Illuminance(照度)	:1100Lux(1m)
CT(色溫度)	:6000K(CW), 3500K(WW)
CRI(鉛色指數)	:70
Beam Angle(Beam角度)	:120°
Operating Temperature(使用溫度)	:-20°C~40°C
Material	:(Frame :Aluminium,Back cover :SECC,LGP:PMMA,DIF:PMMA)
Out Dimmension(Wx Hx T)	:1200mmx300mmx15mm(40.5mm)
Weight(重量)	:4.9kg
Control method	: IR Remote controller
IP	:30
※Power supply	:UL , CE Registered Certificates

■ Power Supply Unit Specifications

★.Operating/Storage Temperature

Operating Temp.: -20°C ~40°C, Humidity : 75%±20% RH

Storage Temp.: -40°C~ 85°C, Humidity : 75%±20% RH

★.Electrical Characteristics

- .Input Characteristics

AC Rated Input Voltage : 100 ~ 240Vac

AC Operating Input Voltage : 90 ~ 254Vac

AC Input Frequency : 50/60Hz

AC Input Current : Max <2Arms

Inrush Current : < 60A peak

Power Factor : >90%

- .Output Characteristics

Output Voltage : 50V

Output Current : 1.44A

Feedback Current : 180mA

★.Power Consumption

Max Power Consumption : < 90W

Efficiency : < 80%

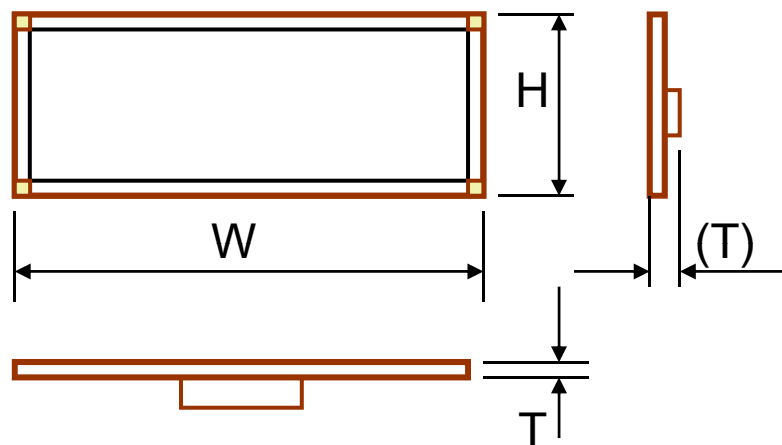
※Outline Dimmension(WxH xT):
110mmx127mmx26mm



SPECIFICATIONS

Production

Model:(Well-Lux) LP1245N-CW/WW



Rated Input Voltage (驅動電壓)	:AC100-240V, 50/60Hz
LED Qty (LED 數量)	:336ea
LED Power Consumption (消費電力)	:67W
Lumen Flux(光速)	:3800lms
Illuminance(照度)	:1100Lux(1m)
CT(色溫度)	:6000K(CW) , 3500K(WW)
CRI(鉛色指數)	:70
Beam Angle(Beam角度)	:120°
Operating Temperature(使用溫度)	:-20°C~40°C
Material	:(Frame :Aluminium,Back cover :SECC,LGP:PMMA,DIF:PMMA)
Out Dimmension(Wx Hx T)	:1200mmx450mmx15mm(40.5mm)
Weight(重量)	:7.5kg
Control method	: IR Remote controller
IP	:30
※Power supply	:UL , CE Registered Certificates

■ Power Supply Unit Specifications

★.Operating/Storage Temperature

Operating Temp.: -20°C ~40°C, Humidity : 75%±20% RH

Storage Temp.: -40°C~ 85°C, Humidity : 75%±20% RH

★.Electrical Characteristics

-Input Characteristics

AC Rated Input Voltage : 100 ~ 240Vac

AC Operating Input Voltage : 90 ~ 254Vac

AC Input Frequency : 50/60Hz

AC Input Current : Max <2Arms

Inrush Current : < 60A peak

Power Factor : >90%

-Output Characteristics

Output Voltage : 50V

Output Current : 1.44A

Feedback Current : 180mA

★.Power Consumption

Max Power Consumption : < 90W

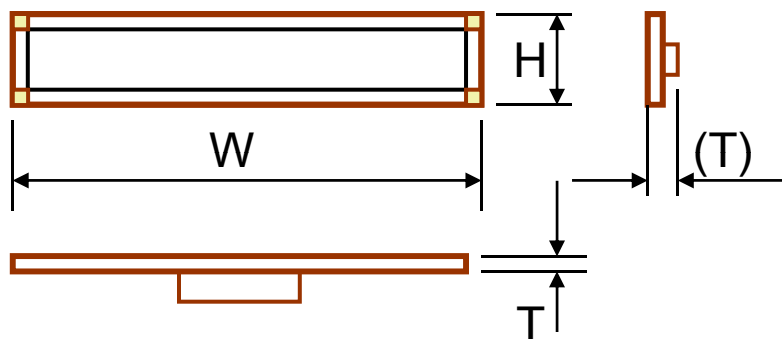
Efficiency : < 80%

※Outline Dimmension(WxH xT):
110mmx127mmx26mm



SPECIFICATIONS

Model:(Well-Lux) LP1215N-CW/WW



Rated Input Voltage (驅動電壓)	:AC100-240V, 50/60Hz
LED Qty (LED 數量)	:168ea
LED Power Consumption (消費電力)	:34W
Lumen Flux(光速)	:1700lms
Illuminance(照度)	:500Lux(1m)
CT(色溫度)	:6000K(CW), 3500K(WW)
CRI(鉛色指數)	:70
Beam Angle(Beam角度)	:120°
Operating Temperature(使用溫度)	:-20°C~40°C
Material	:(Frame :Aluminium,Back cover :SECC,LGP:PMMA,DIF:PMMA)
Out Dimmension(Wx Hx T)	:1200mmx150mmx15mm(40.5mm)
Weight(重量)	:2.1kg
IP	:30

■ Power Supply Unit Specifications

★.Operating/Storage Temperature

Operating Temp.: -20°C ~40°C, Humidity : 75%±20% RH

Storage Temp.: -40°C~ 85°C, Humidity : 75%±20% RH

★.Electrical Characteristics

-Input Characteristics

AC Rated Input Voltage : 100 ~ 240Vac

AC Operating Input Voltage : 90 ~ 254Vac

AC Input Frequency : 50/60Hz

AC Input Current : Max <2Arms

Inrush Current : < 60A peak

Power Factor : >90%

-Output Characteristics

Output Voltage :24V

Output Current : 1.3A

Feedback Current : 160mA

★.Power Consumption

Max Power Consumption : < 40W

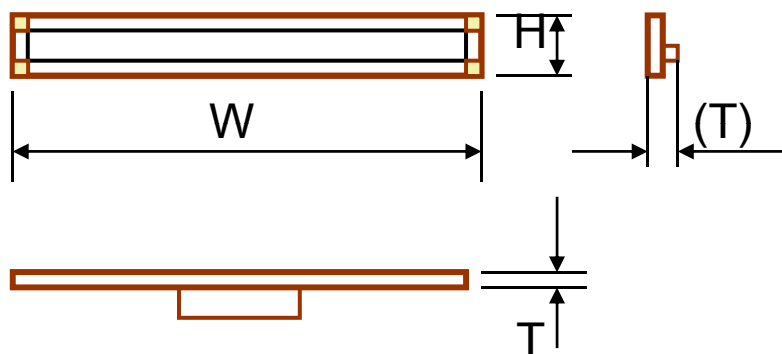
Efficiency : < 80%

※Outline Dimmension(WxH xT):
110mmx32mmx26mm



SPECIFICATIONS

Model:(Well-Lux) LP1210N-CW/WW



Rated Input Voltage (驅動電壓)	:AC100-240V, 50/60Hz
LED Qty (LED 數量)	:168ea
LED Power Consumption (消費電力)	:34W
Lumen Flux(光速)	:1000lms
Illuminance(照度)	:320Lux(1m)
CT(色溫度)	:6000K(CW) , 3500K(WW)
CRI(鉛色指數)	:70
Beam Angle(Beam角度)	:120°
Operating Temperature(使用溫度)	:-20°C~40°C
Material	:(Frame :Aluminium,Back cover :SECC,LGP:PMMA,DIF:PMMA)
Out Dimmension(Wx Hx T)	:1200mmx110mmx15mm(40.5mm)
Weight(重量)	:2.0kg
IP	:30

Power Supply Unit Specifications

★.Operating/Storage Temperature

Operating Temp.: -20°C ~40°C, Humidity : 75%±20% RH

Storage Temp.: -40°C~ 85°C, Humidity : 75%±20% RH

★.Electrical Characteristics

-.Input Characteristics

AC Rated Input Voltage : 100 ~ 240Vac

AC Operating Input Voltage : 90 ~ 254Vac

AC Input Frequency : 50/60Hz

AC Input Current : Max <2Arms

Inrush Current : < 60A peak

Power Factor : >90%

-.Output Characteristics

Output Voltage :24V

Output Current : 1.3A

Feedback Current : 160mA

★.Power Consumption

Max Power Consumption : < 40W

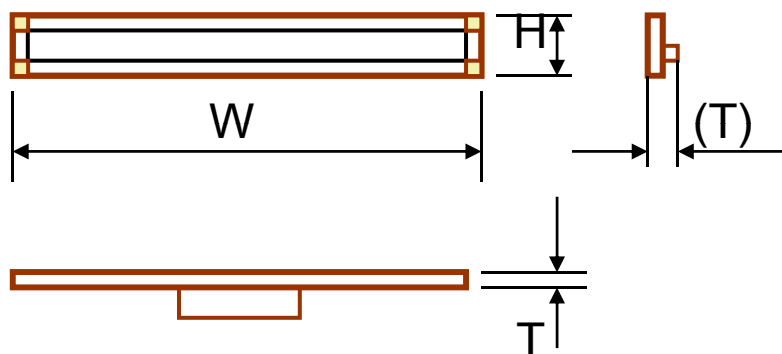
Efficiency : < 80%

※Outline Dimmension(WxH xT):
110mmx32mmx26mm



SPECIFICATIONS

Model:(Well-Lux) LP1207N-CW/WW



Rated Input Voltage (驅動電壓)	:AC100-240V, 50/60Hz
LED Qty (LED 數量)	:168ea
LED Power Consumption (消費電力)	:34W
Lumen Flux(光速)	:800lms
Illuminance(照度)	:220Lux(1m)
CT(色溫度)	:6000K(CW) , 3500K(WW)
CRI(鉛色指數)	:70
Beam Angle(Beam角度)	:120°
Operating Temperature(使用溫度)	:-20°C~40°C
Material	:(Frame :Aluminium,Back cover :SECC,LGP:PMMA,DIF:PMMA)
Out Dimmension(Wx Hx T)	:1200mmx70mmx15mm(40.5mm)
Weight(重量)	:2.0kg
IP	:30

Power Supply Unit Specifications

★.Operating/Storage Temperature

Operating Temp.: -20°C ~40°C, Humidity : 75%±20% RH

Storage Temp.: -40°C~ 85°C, Humidity : 75%±20% RH

★.Electrical Characteristics

-.Input Characteristics

AC Rated Input Voltage : 100 ~ 240Vac

AC Operating Input Voltage : 90 ~ 254Vac

AC Input Frequency : 50/60Hz

AC Input Current : Max <2Arms

Inrush Current : < 60A peak

Power Factor : >90%

-.Output Characteristics

Output Voltage :24V

Output Current : 1.3A

Feedback Current : 160mA

★.Power Consumption

Max Power Consumption : < 40W

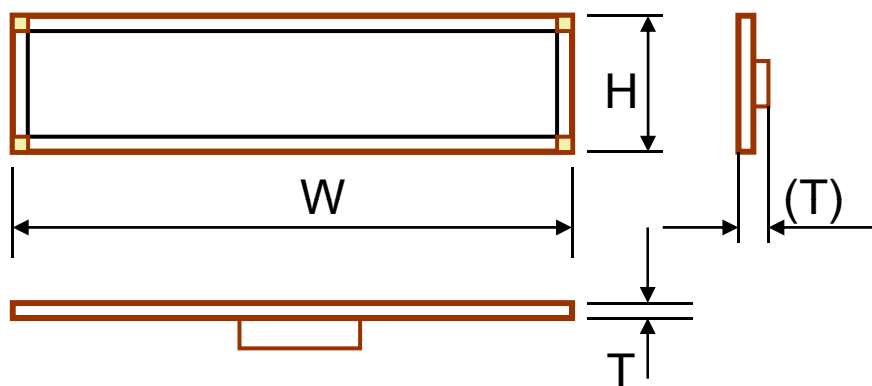
Efficiency : < 80%

※Outline Dimmension(WxH xT):
110mmx32mmx26mm



SPECIFICATIONS

Model:(Well-Lux) LP1530N-CW/WW



Rated Input Voltage (驅動電壓)	:AC100-240V, 50/60Hz
LED Qty (LED 數量)	:420ea
LED Power Consumption (消費電力)	:83W
Lumen Flux(光速)	:4300lms
Illuminance(照度)	:1100Lux(1m)
CT(色溫度)	:6000K(CW), 3500K(WW)
CRI(鉛色指數)	:70
Beam Angle(Beam角度)	:120°
Operating Temperature(使用溫度)	:-20°C~40°C
Material	:(Frame :Aluminium,Back cover :SECC,LGP:PMMA,DIF:PMMA)
Out Dimmension(Wx Hx T)	:1500mmx300mmx15mm(40.5mm)
Weight(重量)	:5.5kg
Control method	: IR Remote controller
IP	:30
※Power supply :UL , CE Registered Certificates	

■ Power Supply Unit Specifications

★.Operating/Storage Temperature

Operating Temp.: -20°C ~40°C, Humidity : 75%±20% RH

Storage Temp.: -40°C~ 85°C, Humidity : 75%±20% RH

★.Electrical Characteristics

-Input Characteristics

AC Rated Input Voltage : 100 ~ 240Vac

AC Operating Input Voltage : 90 ~ 254Vac

AC Input Frequency : 50/60Hz

AC Input Current : Max <2Arms

Inrush Current : < 60A peak

Power Factor : >90%

-Output Characteristics

Output Voltage : 50V

Output Current : 1.5A

Feedback Current : 160mA

★.Power Consumption

Max Power Consumption : < 90W

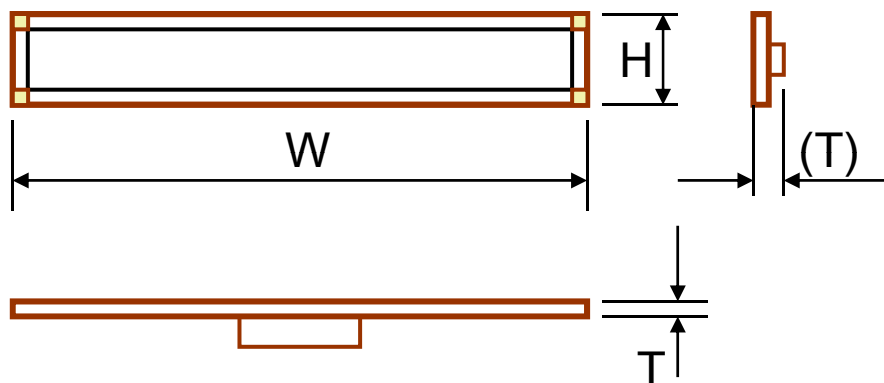
Efficiency : < 80%

※Outline Dimmension(WxH xT):

110mmx127mmx26mm

SPECIFICATIONS

Model:(Well-Lux) LP1515N-CW/WW



Rated Input Voltage (驅動電壓)	:AC100-240V, 50/60Hz
LED Qty (LED 數量)	:210ea
LED Power Consumption (消費電力)	:43W
Lumen Flux(光速)	:2000lms
Illuminance(照度)	:650Lux(1m)
CT(色溫度)	:6000K(CW) , 3500K(WW)
CRI(鉛色指數)	:70
Beam Angle(Beam角度)	:120°
Operating Temperature(使用溫度)	:-20°C~40°C
Material	:(Frame :Aluminium,Back cover :SECC,LGP:PMMA,DIF:PMMA)
Out Dimmension(Wx Hx T)	:1500mmx150mmx15mm(40.5mm)
Weight(重量)	:2.5kg
IP	:30

Power Supply Unit Specifications

★.Operating/Storage Temperature

Operating Temp.: -20°C ~40°C, Humidity : 75%±20% RH

Storage Temp.: -40°C~ 85°C, Humidity : 75%±20% RH

★.Electrical Characteristics

-Input Characteristics

AC Rated Input Voltage : 100 ~ 240Vac

AC Operating Input Voltage : 90 ~ 254Vac

AC Input Frequency : 50/60Hz

AC Input Current : Max <2Arms

Inrush Current : < 60A peak

Power Factor : >90%

-Output Characteristics

Output Voltage :24V

Output Current : 1.3A

Feedback Current : 160mA

★.Power Consumption

Max Power Consumption : < 40W

Efficiency : < 80%

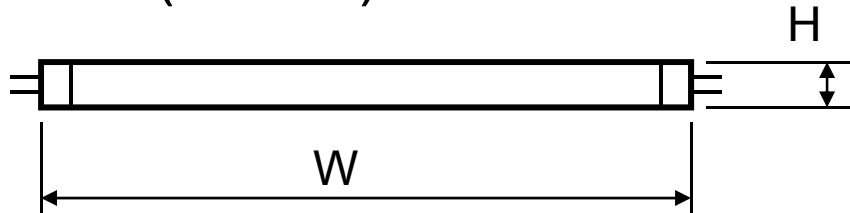
※Outline Dimmension(WxH xT):

110mmx32mmx26mm

SPECIFICATIONS

- Well-Lux Type:2Pin -

Model:(Well-Lux) LL1225-CW/WW



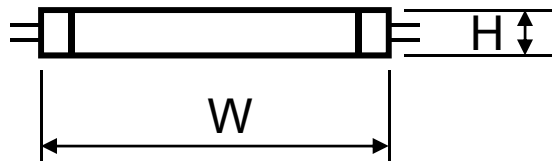
Rated Input Voltage (驅動電壓)	:AC90-264V, 50/60Hz
LED Qty (LED 數量)	:108ea
LED Power Consumption (消費電力)	:22W
Lumen Flux(光速)	:300lms
Illuminance(照度)	:450Lux(1m)
CT(色溫度)	:6000K(CW) , 3500K(WW)
CRI(鉛色指數)	:70
Beam Angle(Beam角度)	:120°
Operating Temperature(使用溫度)	:-20°C~40°C
Material	:(Frame :Aluminium, Cover:PC)
Out Dimmension(Wx H)	:1200mmxØ25mm
Weight(重量)	:0.7kg
Inverter 내장형	
IP	:30



SPECIFICATIONS

- Well-Lux Type:2Pin -

Model:(Well-Lux) LL6025-CW/WW

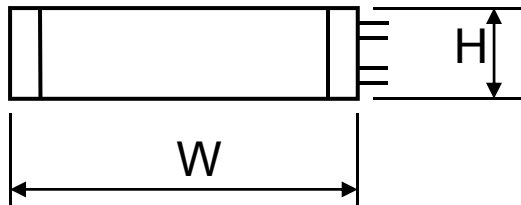


Rated Input Voltage (驅動電壓)	:AC90-264V, 50/60Hz
LED Qty (LED 數量)	:54ea
LED Power Consumption (消費電力)	:11W
Lumen Flux(光速)	:170lms
Illuminance(照度)	:300Lux(1m)
CT(色溫度)	:6000K(CW) , 3500K(WW)
CRI(鉛色指數)	:70
Beam Angle(Beam角度)	:120°
Operating Temperature(使用溫度)	:-20°C~40°C
Material	:(Frame :Aluminium, Cover:PC)
Out Dimmension(Wx H)	:600mmxØ25mm
Weight(重量)	:0.7kg
Inverter 내장형	
IP	:30

SPECIFICATIONS

- Well-Lux Type:4Pin -

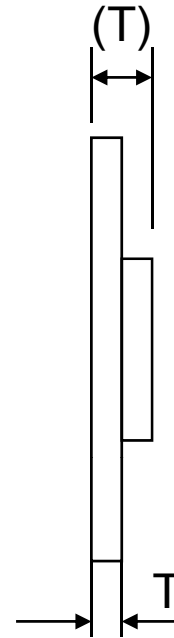
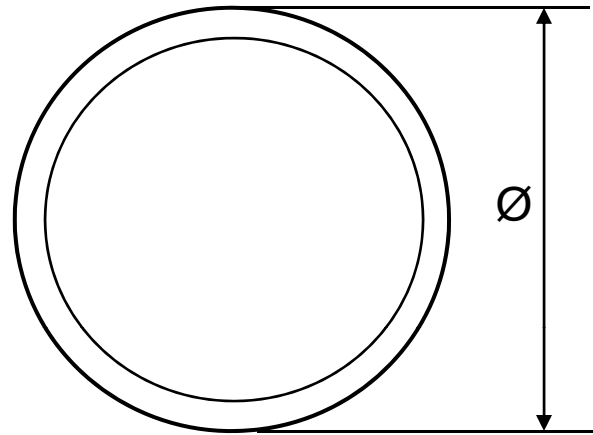
Model:(Well-Lux)TL3040-CW/WW



<u>Rated Input Voltage (驅動電壓)</u>	:AC90-264V, 50/60Hz
<u>LED Qty (LED 數量)</u>	:42ea
<u>LED Power Consumption (消費電力)</u>	:9W
<u>Lumen Flux(光速)</u>	:170lms
<u>Illuminance(照度)</u>	:300Lux(1m)
<u>CT(色溫度)</u>	:6000K(CW) , 3500K(WW)
<u>CRI(鉛色指數)</u>	:70
<u>Beam Angle(Beam角度)</u>	:120°
<u>Operating Temperature(使用溫度)</u>	: -20°C~40°C
<u>Material</u>	:(Frame :Aluminium, Cover:PC)
<u>Out Dimmension(Wx H)</u>	:313mmx43mm
<u>Weight(重量)</u>	:0.7kg
<u>Inverter 내장형</u>	
<u>IP</u>	:30

SPECIFICATIONS

- Well-Lux (Circle Type:600mm) -

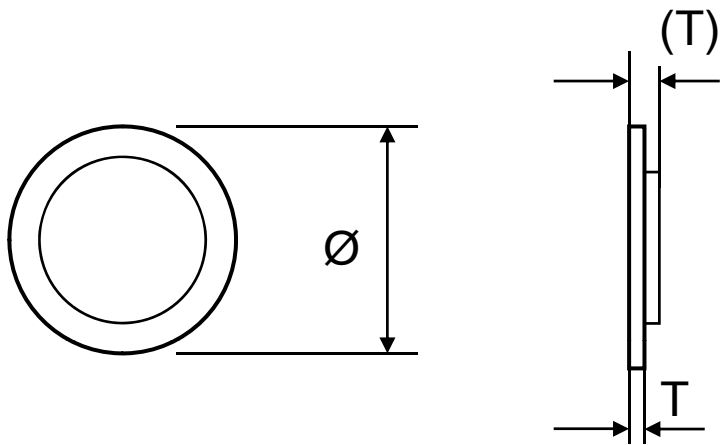


Rated Input Voltage (驅動電壓)	:AC90-240V, 50/60Hz
LED Qty (LED 數量)	:252ea
LED Power Consumption (消費電力)	:50W
Lumen Flux(光速)	:3200lms
Illuminance(照度)	:1000Lux(1m)
CT(色溫度)	:6000K(CW) , 3500K(WW)
CRI(鉛色指數)	:70
Beam Angle(Beam角度)	:120°
Operating Temperature(使用溫度)	:-20°C~40°C
Material	:(Frame :Aluminium, Cover:ABS)
Out Dimmension(Øx H)	:600mmx24mm(50mm)
Weight(重量)	:5.0kg
Control method	: IR Remote controller
IP	:30



SPECIFICATIONS

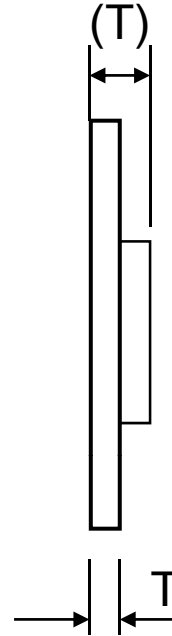
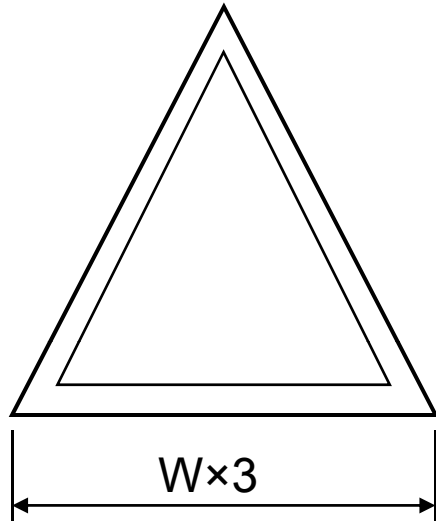
- Well-Lux (Circle Type:200mm) -



Rated Input Voltage (驅動電壓)	:AC90-240V, 50/60Hz
LED Qty (LED 數量)	:168ea
LED Power Consumption (消費電力)	:33W
Lumen Flux(光速)	:1700lms
Illuminance(照度)	:500Lux(1m)
CT(色溫度)	:6000K(CW) , 3500K(WW)
CRI(鉛色指數)	:70
Beam Angle(Beam角度)	:120°
Operating Temperature(使用溫度)	:-20°C~40°C
Material	:(Frame :Aluminium, Cover:ABS)
Out Dimmension(Øx H)	:244mmx23mm(48mm)
Weight(重量)	:1.6kg
Control method	: IR Remote controller
IP	:30

SPECIFICATIONS

- Well-Lux -



Rated Input Voltage (驅動電壓)	:AC100-240V, 50/60Hz
LED Qty (LED 數量)	:252ea
LED Power Consumption (消費電力)	:50W
Lumen Flux(光速)	:500lms
Illuminance(照度)	:610Lux(1m)
CT(色溫度)	:6000K(CW) , 3500K(WW)
CRI(鉛色指數)	:70
Beam Angle(Beam角度)	:120°
Operating Temperature(使用溫度)	:-20°C~40°C
Material	:(Frame :Aluminium,Back cover :SECC,LGP:PMMA,DIF:PMMA)
Out Dimmension(Wx T)	:630mmx13mm(39mm)
Weight(重量)	: 4.0kg
Control method	: IR Remote controller
IP	:30
※Power supply :UL , CE Registered Certificates	

